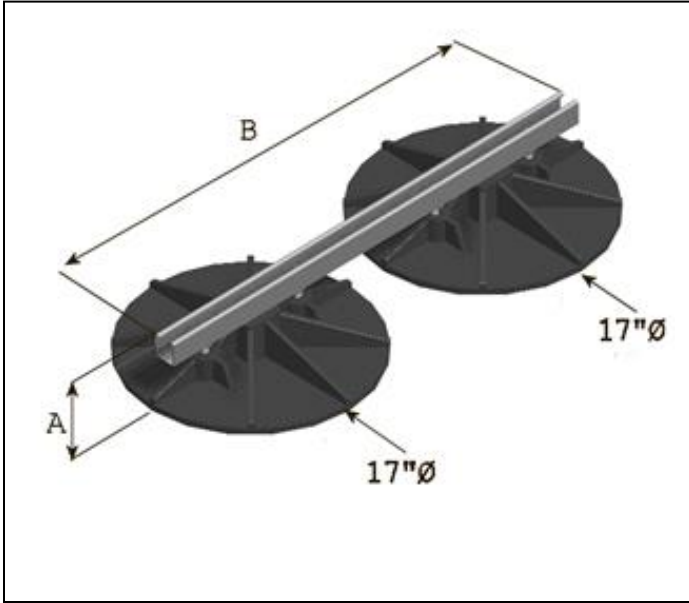




SS2000 Cable Tray Support

Specification Sheet

SS2000 – 31" Cable Tray Supports



SS2000/31 – Cable Tray Supports – Is designed specifically for use on rooftop without adhesive, roof penetrations, flashings or damage to roofing system. SS2000/31 is designed to support ASP Cable Trays 24"W. Recommended distance between supports is 5', unless specified otherwise. Use clamps to secure ASP Cable Trays. Strut is bolted directly to circular bases by 1/2" bolts. Weight disbursed over 454 sq. in. per support.



Materials

Support Base: 17" circular base, injected molded polypropylene, with 227 sq. in. of surface on bottom, designed for weight displacement.

Base Dimensions: 3"H X 17" in diameter, designed for weight displacement, with molded insert for square tubing and two threaded rod couplings molded in.

LEED: Minimum 40 % post-industrial recycled polypropylene with UV inhibitors.

Frame: 1-5/8" X 1-5/8" 12 ga. channel (ASTM A653) - available in Pre-Galvanized Zinc coated, Hot-Dip Galvanized or Stainless Steel finishes.

Hardware: 1/2" X 2-1/2" Bolts; 1/2" Nuts & Washers available in Pre-Galvanized Zinc coated, Hot-Dip Galvanized or Stainless Steel finishes.

Accessories: Protection Pads

Model	Dimensions		Weight
	A	B	
SS2000-31	5"/12.70 cm	31"/78.7cm	12 lb/5.44 kg

Installation:

- Verify that roof surface is smooth and clean to extent needed to receive materials.
- Review approved final drawings to determine the locations of Cable Trays.
- Clean surfaces to receive Cable Tray Supports removing any loose gravel and any foreign matter before setting Cable Tray Supports.
- Accurately locate Cable Tray supports in locations specified as per approved shop drawings or as required by site conditions.
- Attach Cable Trays to Cable Tray Supports and connect to other Cable Trays with splice clamps to form continuous system.
- Adjust height of each Cable Tray Support and correct height if necessary.
- Repeat until all support Cable Trays supplied are installed in accordance with approved shop drawings.
- Remove any unused materials and packaging from job site.

This print/image and design and detail shown hereon is the property of Advanced Support Products, Inc. This print is furnished with the understanding that it is not to be reproduced without permission, and must be returned upon demand. All rights of design and invention are reserved by Advanced Support Products.

Patents #5816554 ; #6229497; #6427965; #6448497; #6578827 © 2010