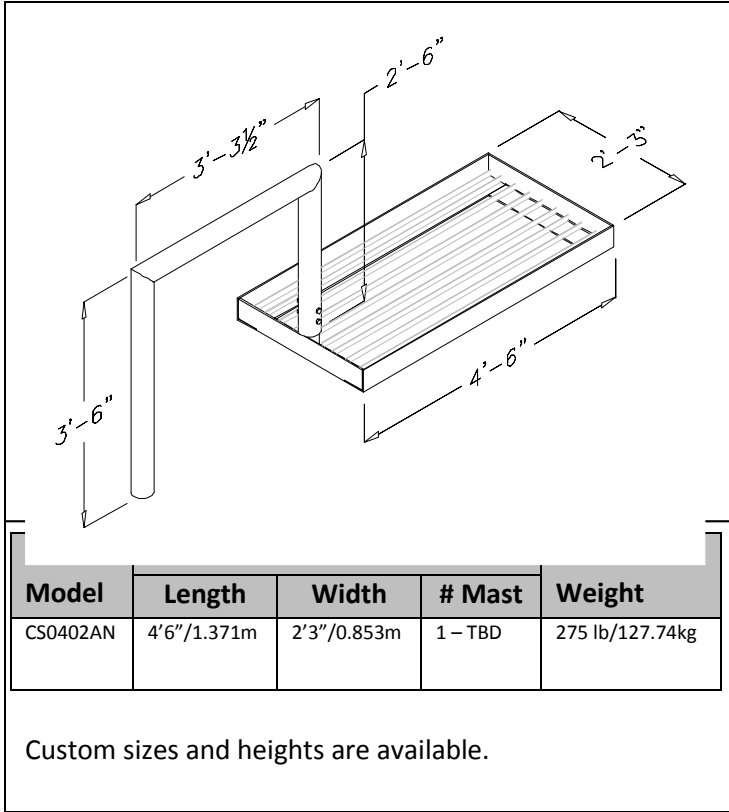




# CS0402AN

## Cantilever Sled Antenna Mounts

## Specification Sheet



**CS0402AN – Cantilever Sled Antenna Mount** – Is designed specifically for light weight, low wind load antenna on rooftop without adhesive, roof penetrations, flashings or damage to roofing system. Ballast recommended.



### Materials

**Antenna Mount:** 4"X4"X1/4" Angle; 3" Ø Schedule 40 Pipe; 1" X 3/16" bar grating, 19-W-4 carbon steel, ends capped with 1" X 1/4" steel flat bar; Hot-Dip Galvanized after fabrication.

**Hardware:** 3-1/2" U-Bolts; 4" U-Bolts with Nuts and 1/2" Plate; Grating Clips with 1-1/2 " Self Tapping Screws; available in Pre-Galvanized Zinc coated or Hot-Dip Galvanized.

**Accessories:** Protection Pads

### Installation:

- Verify that roof surface is smooth and clean to extent needed to receive materials.
- Review approved final drawings to determine the locations of Antenna Mount.
- Clean surfaces to receive 17" circular bases removing any loose gravel and any foreign matter before setting 17" circular support bases.
- Accurately locate Antenna Mount in location specified as per approved shop drawings or as required herein and by site conditions. No Isolation pads are required under the 17" circular bases.
- Should the roofing manufacturer require a separation sheet between the roof and the support system, place a separation sheet or protective pad conforming to the existing roof manufacturer's system under 17" circular bases. Do not adhere to the roof system or 17" circular bases.
- Insert steel frame structures into 17" circular bases as indicated in above drawing.
- Adjust height of each support base for equal weight disbursement. Correct if necessary.
- Repeat until all support bases supplied are installed in accordance with approved shop drawings.
- Remove any unused materials and packaging from job site.

This print/image and design and detail shown hereon is the property of Advanced Support Products, Inc. This print is furnished with the understanding that it is not to be reproduced without permission, and must be returned upon demand. All rights of design and invention are reserved by Advanced Support Products.

Patents #5816554 ; #6229497; #6427965; #6448497; #6578827 © 2010