

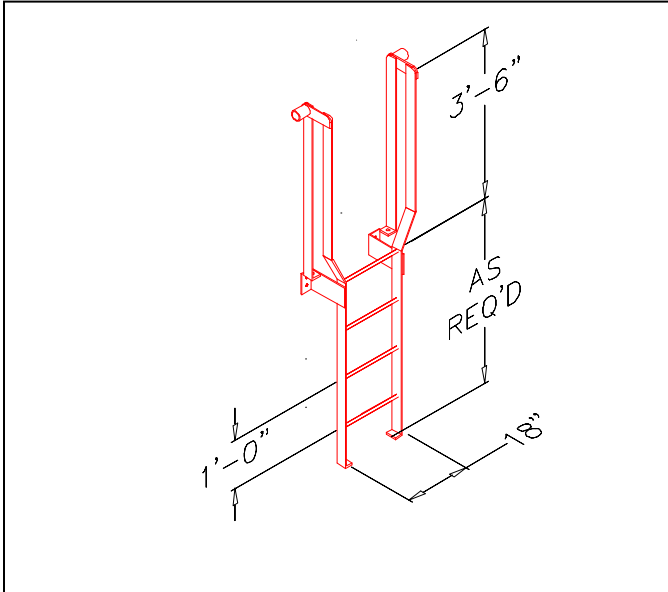


ADVANCED SUPPORT PRODUCTS, INC.

ASP2436L

Attachable Ladder

Specification Sheet



ASP2436L – Attachable Ladder – Is designed for use with ASP equipment or work platforms or can be attached to parapet walls where accesses to heights are required. Shown here with optional handrail adaptors.

Materials

Rungs: 3/4" \varnothing rods, spaced every 12"

Frame: 2-1/2" X 1/4" Flat Bar

Hardware: 3/4" bolts 1-1/2" Long for attaching ladder available in Hot-Dip Galvanized finish.

Accessories: Handrail Adaptors (shown); Footing for attaching bottom of ladder

Installation:

- A. Verify that roof surface is smooth and clean to extent needed to receive materials.
- B. Review approved final drawings to determine the locations of ladder.
- C. Clean surfaces to receive ladder removing any loose gravel and any foreign matter before setting ladder.
- D. Accurately locate and align pre-fabricated ladder in location specified as per approved shop
- E. Should the roofing manufacturer require a separation sheet between the roof and the ladder, place a separation sheet or protective pad conforming to the existing roof manufacturer's system under each ladder.
- F. Attach ladder to platform or wall using bolts provided. Secure all bolts tightly.
- G. If required, attach to the roof system.
- H. Repeat until all bolt attachments supplied are installed in accordance with approved shop drawings.
- I. Remove any unused materials and packaging from job site.

This print/image and design and detail shown hereon is the property of Advanced Support Products, Inc. This print is furnished with the understanding that it is not to be reproduced without permission, and must be returned upon demand. All rights of design and invention are reserved by Advanced Support Products.

Patents #5816554 ; #6229497; #6427965; #6448497; #6578827 © 2010